

## WSPTP1A/WH25ESP WEIGH SCALE PALLET TRUCK WITH PRINTER

- ◆ Heavy duty pallet truck with built-in scale 2500kg capacity; 500g accuracy.
- ◆ Electronic indicator with 32mm high red LED display  
Four load cells ensure accurate readings in kg or lb.
- ◆ Well designed structure  
Standard 540mm fork width (rather than 570mm)  
Low profile 78mm min. fork height
- ◆ Long life internal battery  
Rechargeable 6V/4Ah battery, 40 hours operation.
- ◆ **Printer**  
Built-in printer with rich printing formats and communication protocol.



Accumulation data print out      Count data print out

REPORT	
1	0.200kg
2	0.175kg
3	0.347kg
4	0.375kg
-----	
Total:	1.097kg

REPORT	
Gross:	0.547kg
Amount:	55
-----	
Weight data print out	
REPORT	
Gross:	45.0kg
Tare:	5.0kg
Net:	40.0kg



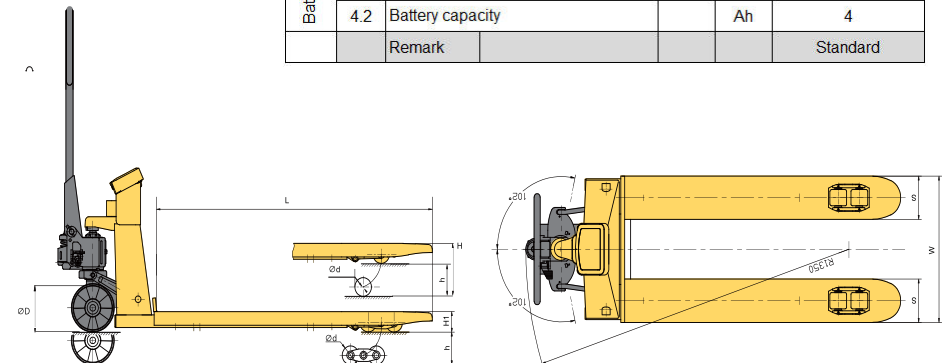
- ◆ **Casted galvanized pump**  
Durable forks made from 4mm thickness steel
- ◆ **4 load cells inner weighing structure**  
Up to 2500kg, readings in kg or lb. 4 built-in load cells ensured accuracy.  
Accuracy  $\pm 0.5\%$  (500g)

### ◆ High Precision multi-function LED screen

7 function keys, simple and convenient operation. 6-digit 32mm LED display, 7 state indicator lamps. Long service life and shock resistance.

Automatic screen protection and automatic shutdown energy-saving function. Tare / Hold / Accumulation (of pallet weight) / Counting mode / Unit switchable

Feature	Model			WH-25ES
1.1	Capacity		kg	2500
1.2	Pump type			Integrated
1.3	Accuracy		%	$\pm 0.5$
Wheel	2.1	Wheel(drive/load) Type		PU
	2.2	Size of steering wheel	$\Phi D$ mm	180*50
	2.4	Size of Loading wheel(double wheel)	$\Phi d$ mm	70*70
Dimensions	3.1	Lifting height	H mm	120
	3.2	Max. fork lifting height	h mm	198
	3.3	Lowered height of fork	H1 mm	78
	3.4	Fork outside distance	W mm	540
	3.5	Fork length	L mm	1150
	3.6	Fork width	S mm	160
	3.7	Weight	kg	96
Battery	4.1	Battery voltage	V	6
	4.2	Battery capacity	Ah	4
		Remark		Standard



We provide a nationwide 2-3 day delivery service with next day delivery available on request.  
All of our products come with a twelve month return to base limited warranty

PallettrucksUK.co.uk is a trading name of Midland Bearings Ltd  
Registered in England and Wales  
Company Number 02839330 - VAT Registration Number GB 753996769