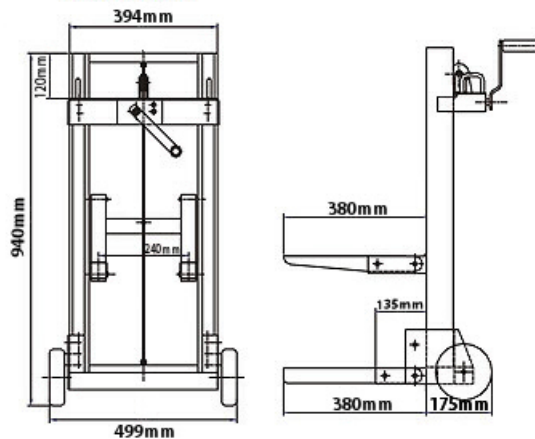




Smart, light, easy to load in the car trunk when folded



Model		STD-80
Capacity	kg	80
Lifting height	mm	1250
Max length when working	mm	700
Min height	mm	1000
Min length	mm	310
Net weight	kg	20

STD80

Manual Hand Stacker Truck

STD80 is a lightweight hand stacker truck.

The load is raised and lowered by a wince rotational movement at the back of the unit.

At just 20kg, it is small enough and light enough to be put inside most car boots.

Moving the load around is done whilst the platform is lowered, using the same principal as a sack truck - ie. tilting the unit back.

The hand stacker has a capacity of 80kg and a maximum lift height of 1250mm (1.25m)